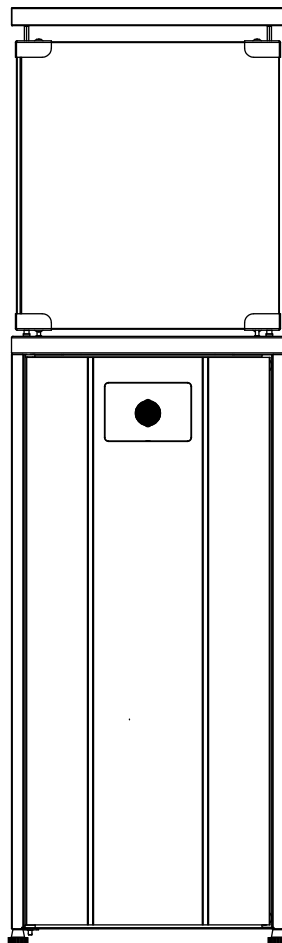




# TOWER GAS FIREPIT

**PLU: 146015**

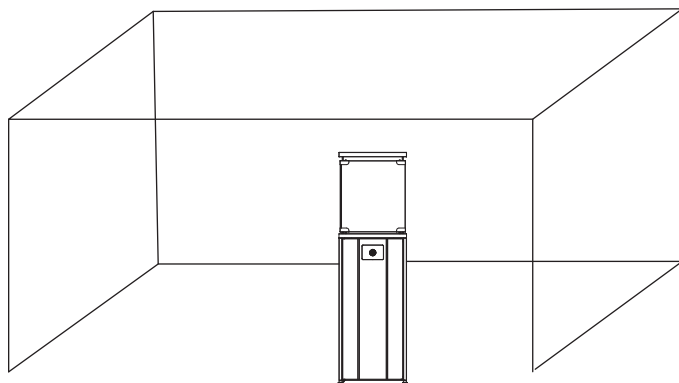
(Model# SRGF12023A)



Keep the instructions for future reference.

## WARNING

1. For use outdoors or in amply ventilated areas.
2. An amply ventilated area must have a minimum of 25% of the surface area open.
3. The surface area is the sum of the walls surface.
4. This appliance is not fitted with "Atmosphere sensing device".



**WARNING:** The use of this appliance in enclosed areas can be dangerous and is PROHIBITED.

**WARNING:** Read the instructions before installation and use.

**Warning:** This appliance must be installed and the gas cylinder stored in accordance with the regulations in force.

**Warning:** Use only the type of gas and the type of cylinder specified by the manufacturer.

**Warning:** Do not obstruct the ventilation holes of the cylinder housing.

**Warning:** In case of violent wind particular attention must be taken against tilting of the appliance.

**Warning:** Do not move the appliance when in operation.

**Warning:** Shut off the valve at the gas cylinder or the regulator before moving the appliance.

**Warning:** The tubing or the flexible hose must be changed within the prescribed intervals.

**Warning:** Do not connect the gas cylinder directly to the appliance without regulator.

## Technical data

Country	Category	Nominal heat input(Hs)	Gas consumption	Injector diameter(Ø)	Gas & Pressure
<input type="checkbox"/> AT <input type="checkbox"/> CH <input type="checkbox"/> DE <input type="checkbox"/> SK	I <sub>3B/P(50)</sub>	7.5kW	546 g/h(G30)	1.12mm	G30 Butane and G31 Propane at 50mbar
<input type="checkbox"/> CY <input type="checkbox"/> DK <input type="checkbox"/> EE <input type="checkbox"/> FI <input type="checkbox"/> FR <input type="checkbox"/> HU <input type="checkbox"/> IT <input type="checkbox"/> LT <input type="checkbox"/> NL <input type="checkbox"/> NO <input type="checkbox"/> SE <input type="checkbox"/> SI <input type="checkbox"/> SK <input type="checkbox"/> RO <input type="checkbox"/> HR <input type="checkbox"/> TR <input type="checkbox"/> BG <input type="checkbox"/> IS <input type="checkbox"/> LU <input type="checkbox"/> MT	I <sub>3B/P(30)</sub>	7.5kW	546 g/h(G30)	1.33mm	G30 Butane and G31 Propane at 30mbar
<input type="checkbox"/> BE <input type="checkbox"/> CH <input type="checkbox"/> CY <input type="checkbox"/> CZ <input type="checkbox"/> ES <input type="checkbox"/> FR <input type="checkbox"/> GB <input type="checkbox"/> GR <input type="checkbox"/> IE <input type="checkbox"/> IT <input type="checkbox"/> LT <input type="checkbox"/> LU <input type="checkbox"/> LV <input type="checkbox"/> PT <input type="checkbox"/> SK <input type="checkbox"/> SI	I <sub>3+(28-30/37)</sub>	7.5kW	546 g/h (G30), 536 g/h (G31)	1.33mm	G30 Butane at 28-30mbar and G31 Propane at 37mbar
<input type="checkbox"/> PL	I <sub>3B/P(37)</sub>	7.5kW	546 g/h (G30)	1.21mm	G30 Butane and G31 Propane at 37mbar

**Number of people required to assemble**

Two people

**Time to assemble**

10 minutes

**Assembly instructions**

Find a large, clean area to assemble your appliance. Please refer to the parts list and assembly diagram as necessary.

Please use protective gloves when assembling this product.

To avoid losing any small component or hardware, assemble your product on a hard level surface that does not have cracks or openings.

To avoid damage to soft floor or carpet, do not assemble or move the appliance on soft floor or carpet.

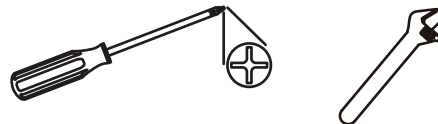
Follow all steps in order to properly assemble your product.

Make sure all the plastic protection rip off before assembling.

Do not force parts together as this can result in personal injury or damage to the product.

When applicable, tighten all hardware connections by hand first, once the step is completed, go back and full tighten all hardware.

Caution: Whilst every effort has made in manufacture of your appliance to remove any sharp edge, you should handle all components with care to avoid accidental injury.

**Tools required**

**Not supplied**

## Further information

### Important Notes:

LPG cylinder not provided. The appliance is designed to operate with a cylinder of size  $\Phi$  30.5 x 56 cm. Only cylinders below 560mm in height are allowed to be used.

This appliance requires a 11 kg butane LPG cylinder or a propane LPG cylinder.

Gas regulator should be the correct one and be set according to specific gas category (see Technical data on page 3).

Gas regulator should be approved according to EN 16129:2013 with proper capacity (g/h), pressure, working temperature and inlet + outlet connection for the country of destination.

The regulator illustrated on the manual is for United Kingdom, the regulator in your country maybe different with the one on the illustration.

Flexible gas rubber pipe should be approved according to EN 16436-1:2014 with proper inner  $\varnothing$  to match pipe holders of gas circuit and gas regulator, pressure and working temperature.

The length of the hose is 0.42 m and it should not exceed 1.5 m. The hose shall be readily visible across its entire length for inspection after installation.

The injector in this appliance is not removable and the injector is only assembled by manufacturer. This appliance is forbidden to convert from one gas pressure to another pressure.

### Danger:

You must have the proper regulator and cylinder in order for the appliance to operate safely and efficiently. Use of an incorrect or faulty regulator is dangerous and will invalidate any warranty.

### Connect LP Gas cylinder

Before connecting, be sure that there is no debris caught in the head of the LP tank, head of the regulator valve or in the head of the burner and burner ports.

Connect gas line to tank by turning knob clockwise until it stops, make sure that the tube is not subject to twisting.

After connecting to gas cylinder, a leak testing is necessary.

### Disconnect LP Gas cylinder

Before disconnecting make sure the LP gas tank valve in "CLOSED". Disconnect gas line from LP gas cylinder by turning knob counterclockwise until it is loose.

For storage and cylinder exchange, disconnect hose at the cylinder only, DO NOT disconnect hose from appliance.

To change the gas cylinder in an amply ventilated area, away from any ignition source (candle, cigarettes, other flame producing appliances etc).

As part of the assembly, it is vital to follow the gas leak checks on page 6 before using the gas fire pit.

### Leak testing (to be performed in a well-ventilated area)

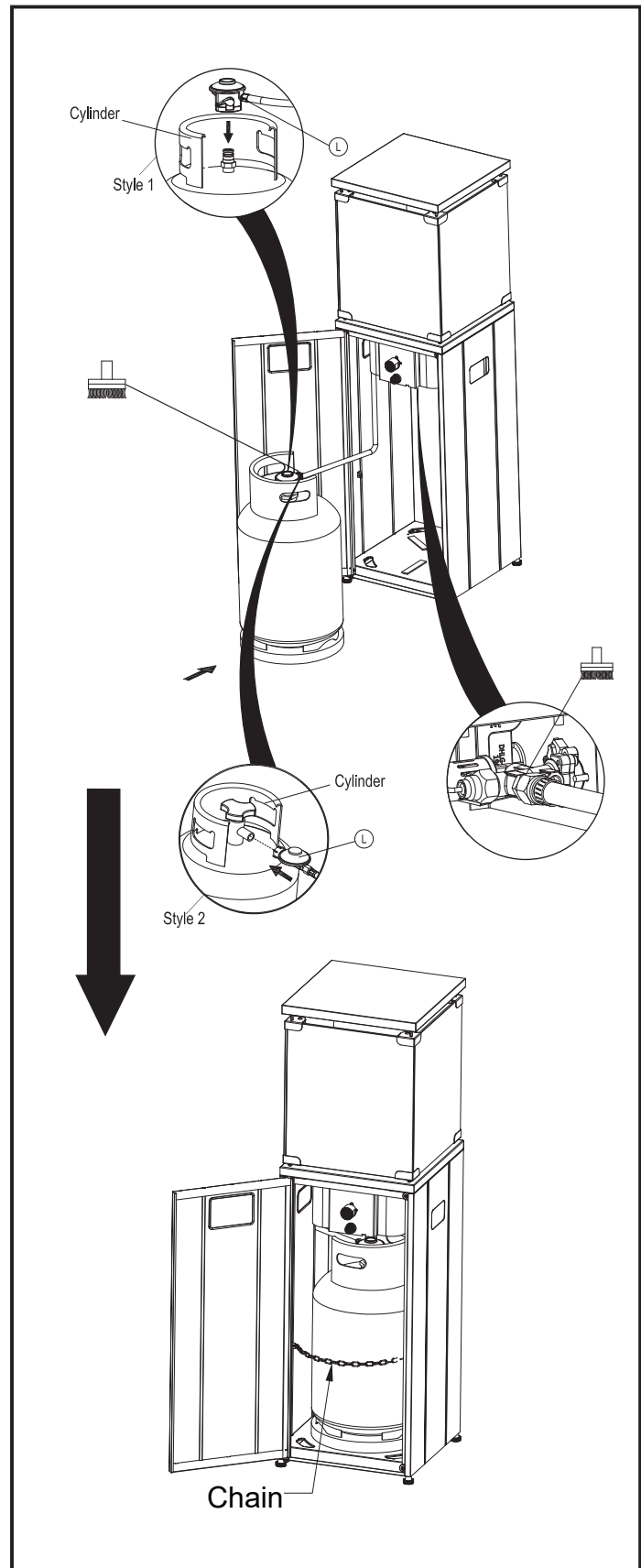
Your Outdoor appliance has been checked for leaks at all the factory made connections. To check the connection of the gas hose/regulator/LPG cylinder.

- 1) Make leak test solution by mixing 1 part washing up liquid and 3 parts water.
- 2) Spoon several drops (or use squirt bottle) of the solution onto the gas hose/regulator and regulator/LPG cylinder connection.
- 3) Inspect the connections and look for bubbles.
- 4) If no bubbles appear, the connection is safe.

If bubbles appear, there is leak, loosen and re-tighten this connection. Repeat the test. If bubbles form again, stop trying; contact your local dealer for assistance.

Leak test annually, and whenever the gas cylinder is removed or replaced.

**Note:** In the event of gas leakage, the appliance must not be used or if already alight, the gas supply must be shut off and the appliance investigated and rectified before it is used again.



### Minimum clearance from combustible surfaces

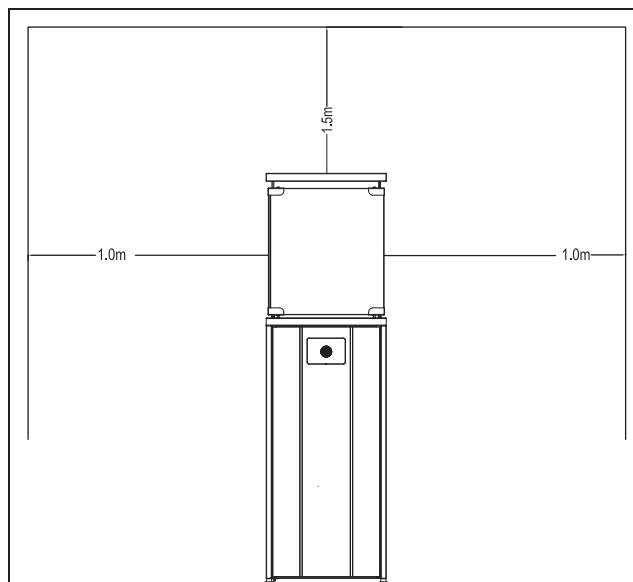
This appliance is primarily used for the heating of outdoor patios, decks, spas, pools and open working areas.

Combustible materials are considered to be wood, compressed parter, plant fibres, plastic or other materials that are capable of being ignited and burned.

Always make sure that adequate fresh air ventilation is provided. Follow the spacing tolerances shown in the following figure right at all times.

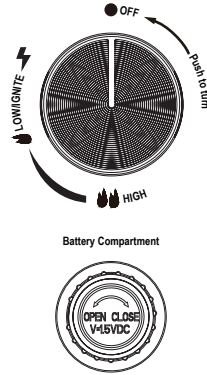
This appliance must be placed on level, firm ground.

Never operate in an explosive atmosphere. Keep away from areas where gasoline or other flammable liquids or vapors are stored or used.



## LIGHTING PROCEDURE

1. Make sure control knob is in the "OFF" position.
2. Turn LP cylinder gas valve to fully open position.
3. Press down control knob and turn it counter clockwise to "IGNITE/LOW" position, this will light the burner.
4. If the burner is lit, keep pressing down the control knob for 15 seconds before releasing it.
5. If the burner is not lit, press down the control knob and turn clockwise to "OFF" position, repeat from step 3 after 5 minutes.
6. When burner is lit, turn the control knob to desired heat output position between "LOW" and "HIGH".



These lighting instructions must be followed. An unsafe condition can occur if they are not followed correctly.

### Flame Characteristic

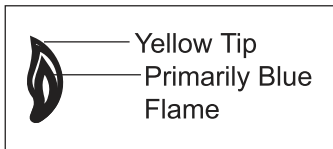
Normally the burner flame is yellow.

If the burner flame is blue and very small, please check the gas cylinder, as it may be low gas pressure or empty.

If flames lift away from burner or backfire happens, or produce thick black smoke, the fire pit should be turned off immediately.

The fire pit should not be operated again until the unit is serviced and/or

repaired by a qualified service technician.



## OPERATING PROCEDURE

Note: The burner may be noisy when initially turned on, To eliminate excessive noise from the burner, turn the control knob to the LOW position. Then, turn the knob to the level of heat desired.

### When heater is ON:

Burner will display tongues of blue flame. These flames should not produce thick black smoke, indicating an obstruction of airflow through the burners.

### Operation pressure checked:

If the flame is very small, this is because the supply pressure is not enough. Please refill gas cylinder.

### Re-light:

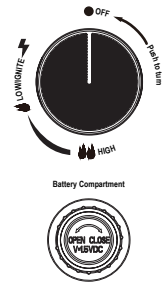
1. Turn the control knob to OFF position.
2. Wait five (5) minutes before attempting to relight appliance.
3. Repeat steps beginning with step 3 of the lighting instruction above.

### Shut down instructions:

1. Push in and turn control knob clockwise to OFF position.
2. Turn LPG cylinder gas valve clockwise to OFF position when heater is not in use.

### The event of gas leakage:

1. Turn the control knob to OFF position.
2. Turn LPG cylinder valve to OFF position.
3. Wait 5 minutes to allow gas to dissipate.
4. If odor continues, immediately call gas supplier.



**Warning:** Appliance will be hot after use. Handle with extreme care.



## Cleaning and maintenance

To enjoy years of outstanding performance from your gas fire pit make sure you perform the following maintenance activities on a regular basis:

- Keep exterior surfaces clean.
- Use warm soapy water for cleaning. Never use flammable or corrosive cleaning agents.
- While washing your unit, be sure to keep the area around the burner dry at all times. If the gas control is exposed to water in any way, do NOT try to use it. It must be replaced.
- Keep the appliance area free and clean from combustible materials, gasoline and other flammable vapors and liquids; not obstructing the flow of combustion and ventilation air; keeping the ventilation opening(s) of the cylinder enclosure free and clear from debris.
- Air flow must not be obstructed. Keep controls, burner, and circulating air passageways clean. Signs of possible blockage include:

Appliance does NOT reach the desired temperature.

Appliance glow is excessively uneven.

Appliance makes popping noises.

- Spiders and insects nest in burner or orifices. This dangerous condition can damage heater and render it unsafe for use. Clean burner holes by using a heavy-duty pipe cleaner. Compressed air may help clear away small particles.

Check the tubing or the flexible hose (at least once per month and each time the cylinder is changed). If it shows signs of cracking, splitting or other deterioration, it must be exchanged for a new hose of the same length and of the equivalent quality.

## STORAGE

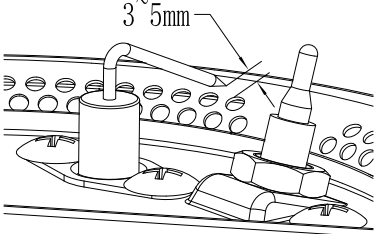
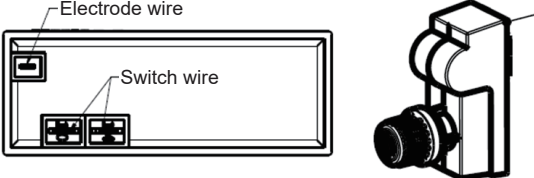
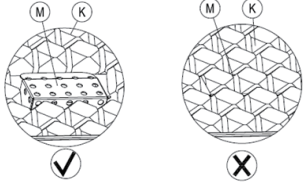
Between uses:

- Turn the control knob to "OFF" position.
- Turn LP cylinder to OFF position.
- Allow at least 45 minutes for the fire pit to cool down after use, then disconnect and remove the cylinder.
- Cylinder must be stored outdoors in a well-ventilated area out of the reach of children. When the cylinder is disconnected, tightly install the threaded valve plugs, and do not store it in a building, garage or any other closed area.
- You may store product indoors ONLY if the cylinder is disconnected and removed.
- Keep the fire pit area clear and free from combustible materials, gasoline and other flammable vapors and liquids.
- Cover the fire pit with a cover.

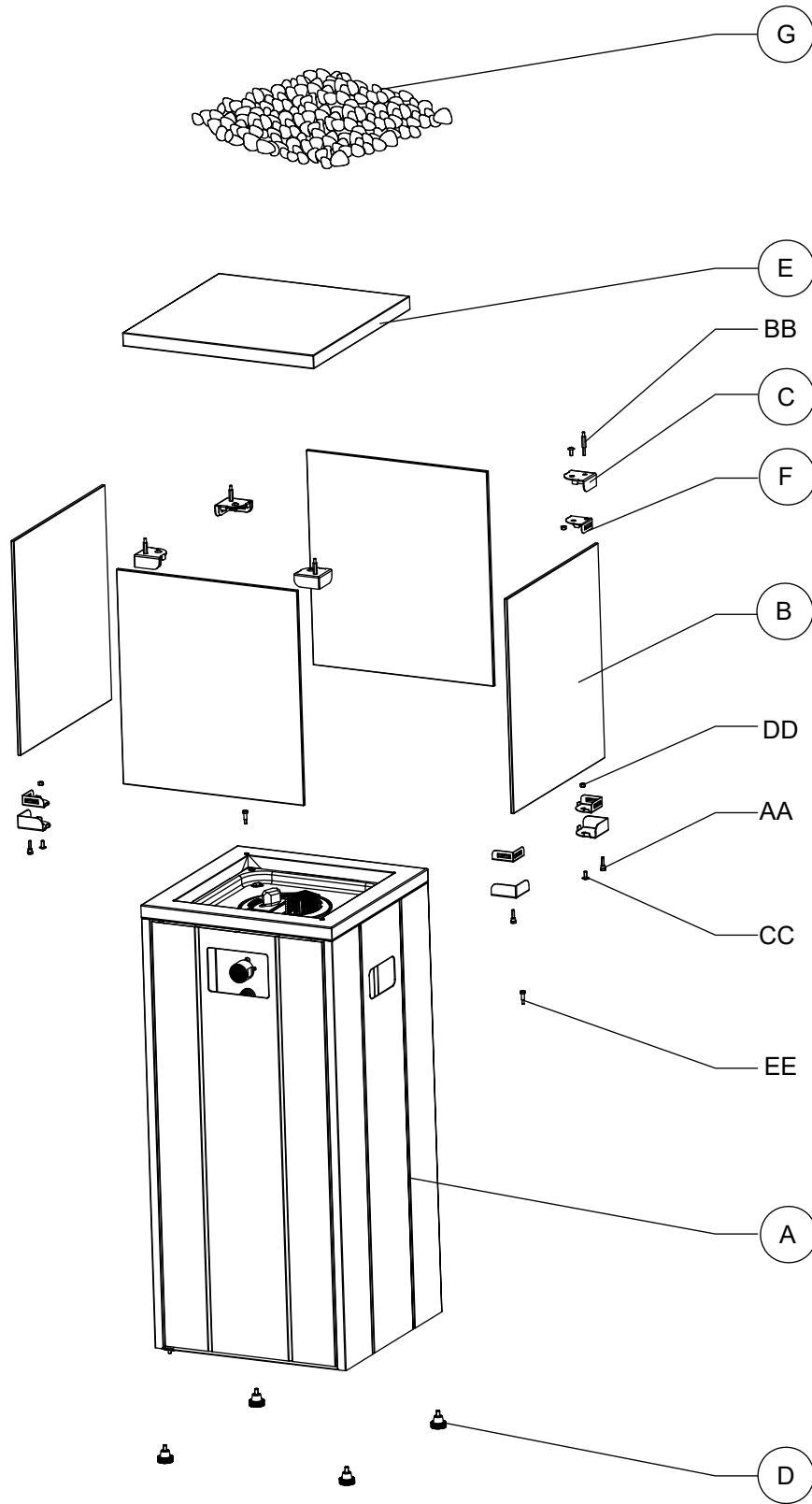
Note: If you do not use a cover, store this outdoor fire pit in a dry location to maximize product life.

- Store gas fire pit in an area sheltered from direct contact with inclement weather (such as rain, sleet, hail, snow, dust and debris).
- A qualified service person should install and repair the fire pit and inspect it annually.
- It might be necessary to clean this fire pit frequently. You must keep the control compartment, burner and circulating air passageways clean.
- Always remove the battery from the gas fire pit if not being used for long time as battery leakage can cause corrosion in the battery compartment.

## TROUBLESHOOTING

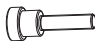




PROBLEM OBSERVED	POSSIBLE CAUSE	CORRECTIVE MEASURES
Gas odor	Gas leak	Check all gas connections
Delayed ignition	Low gas pressure. Clogged or dirty burner ports.	Check gas supply pressure. Clean burner parts--see manual. "CLEANING AND MAINTENANCE" section.
Incorrect burner flame	Incorrect gas supply or pressure. Clogged or dirty burner ports.	Check gas supply pressure. Clean burner parts.
Ignition failure	1.The distance between electrode ignition pins is too far	1.Adjust the distance between the ignition pins to be 3-5mm in case of ignition failure (if ignition failure issue happened). 
	2.Wrong connection of pulse line.	2.Check the electrode wire,switch wire on valve body and pulse ignitor are connected properly. 
	3.The shield is covered with media.	3.The shield should not be covered with medium,please remove medium before ignition. 
	4.The battery is low or dead.	4.Check the battery whether the battery is installed and whether the power is sufficient.

# EXPLODED VIEW

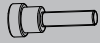


## PARTS & HARDWARE

Part #	Description	Qty
A	Square Gas Fire Pit	1
B	Toughened Glass	4
C	Outer Glass Holder	8
D	Foot Pad	4
E	Lid	1
F	Inner Glass Holder	8
G	Lava Rocks	1 bag

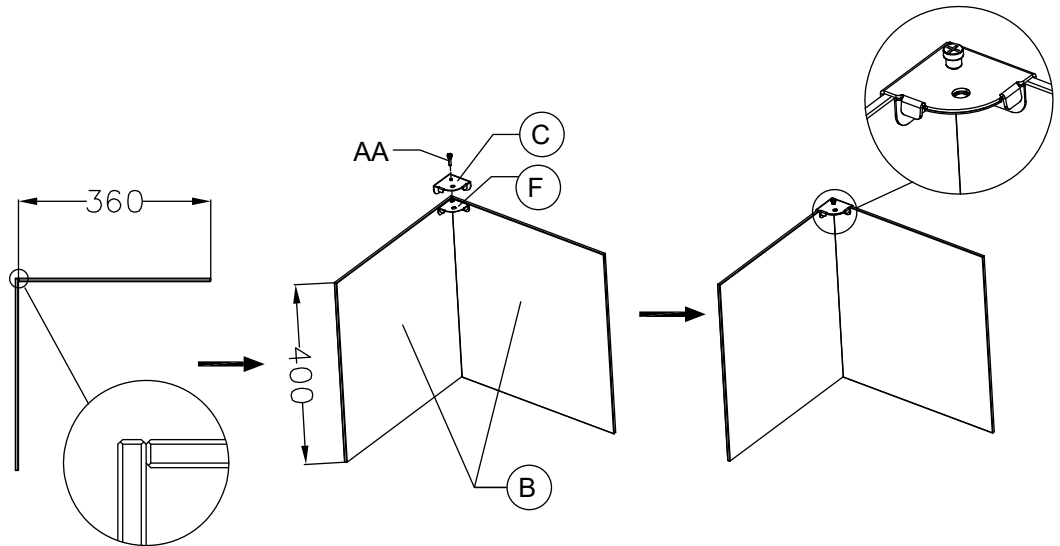
Hardware#	Description	Picture	Qty
AA	M4 Stepped Screw		4
BB	Double Head Connecting Rod		4
CC	Screw M5×12		6
DD	M5 Hex Nut		6
EE	Fixed Step Screws M4		2

1



AA x 1

Note: 1. As part# F is an elastic part, it is necessary to clamp the locking screw position with a pair of pliers after clamping part# C and part# F onto the toughened glass, which will make it easier to tighten the screw AA.  
2. Please pay attention to the toughened glass size during assembling.



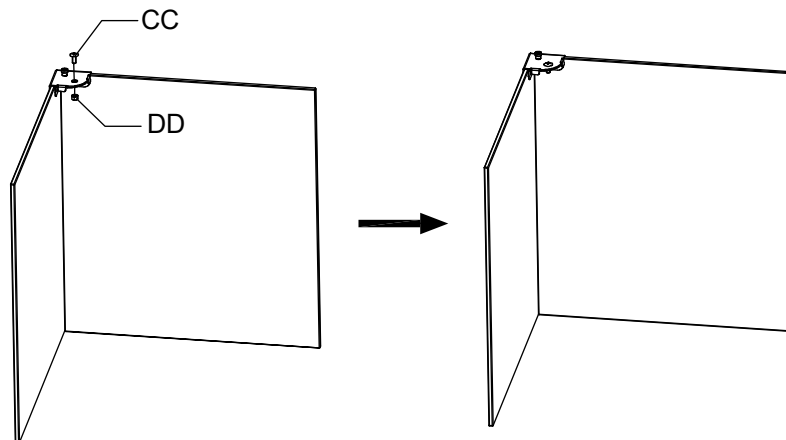
2



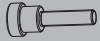
CC x 1



DD x 1



**3**



AA x 3

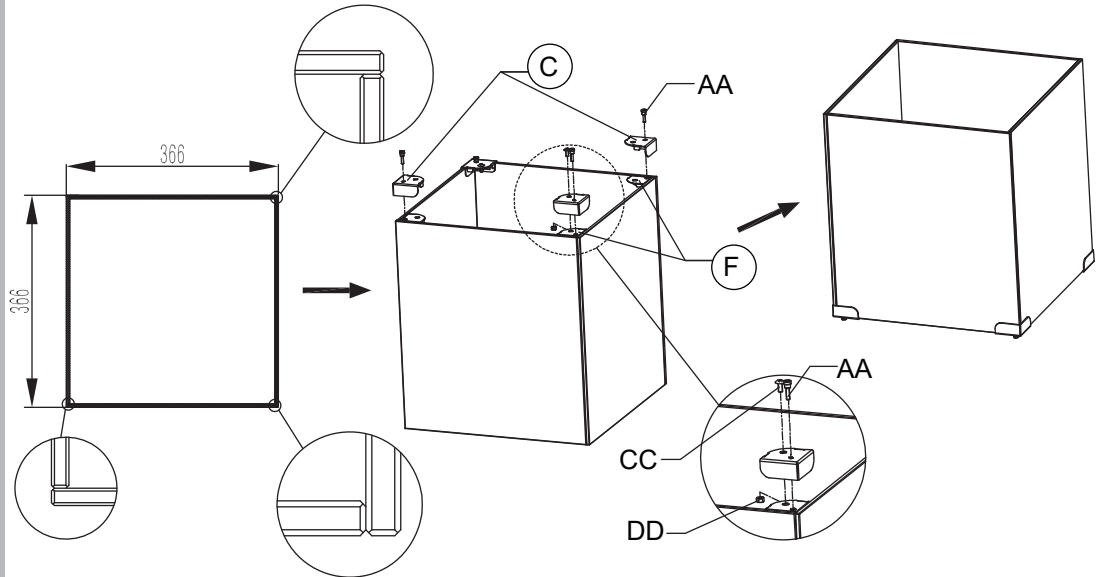


CC x 1



DD x 1

Note: As part# F is an elastic part, it is necessary to clamp the locking screw position with a pair of pliers after clamping part# C and part# F onto the toughened glass, which will make it easier to tighten the screw AA.

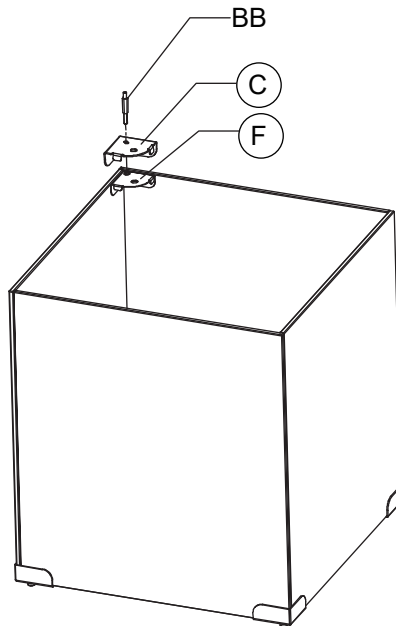


**4**



BB x 1

Note: As part# F is an elastic part, it is necessary to clamp the locking screw position with a pair of pliers after clamping part# C and part# F onto the toughened glass, which will make it easier to tighten the double head connecting rod BB.



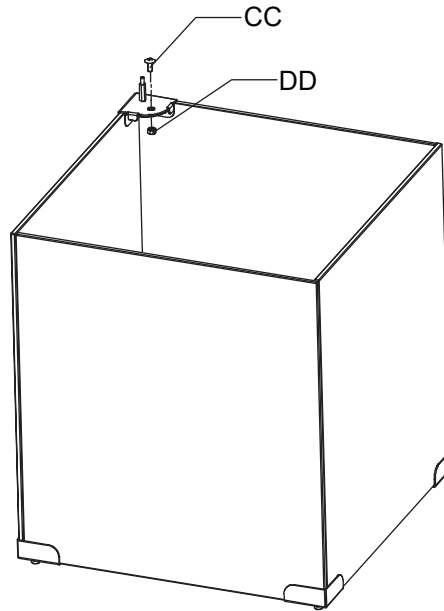
**5**



CC x 1



DD x 1



**6**



BB x 3

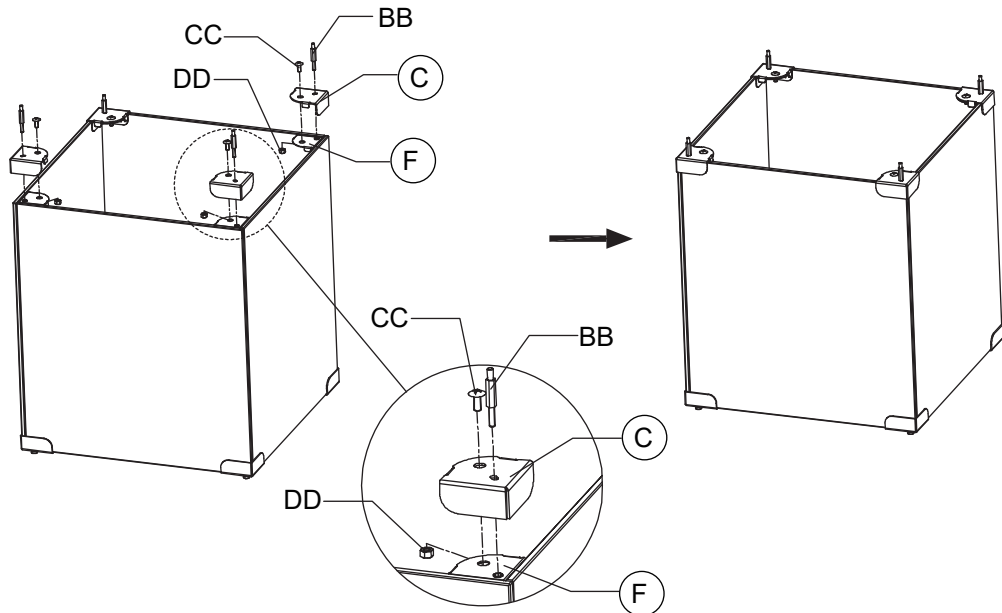


CC x 3

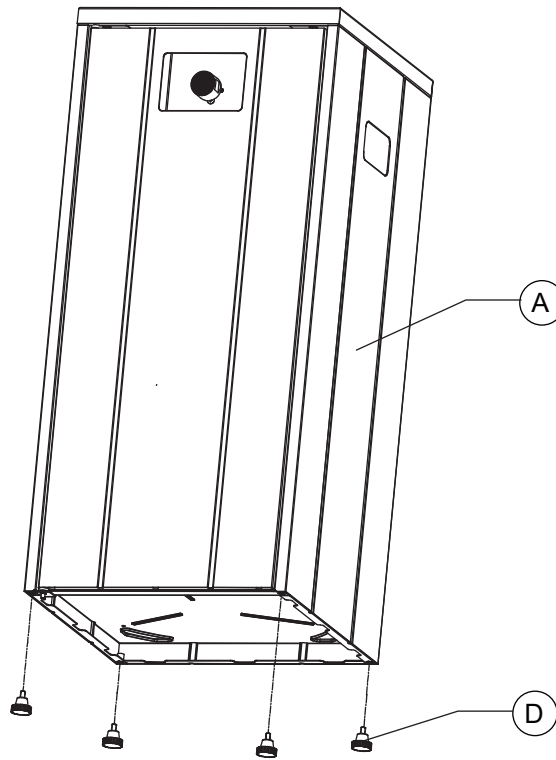


DD x 3

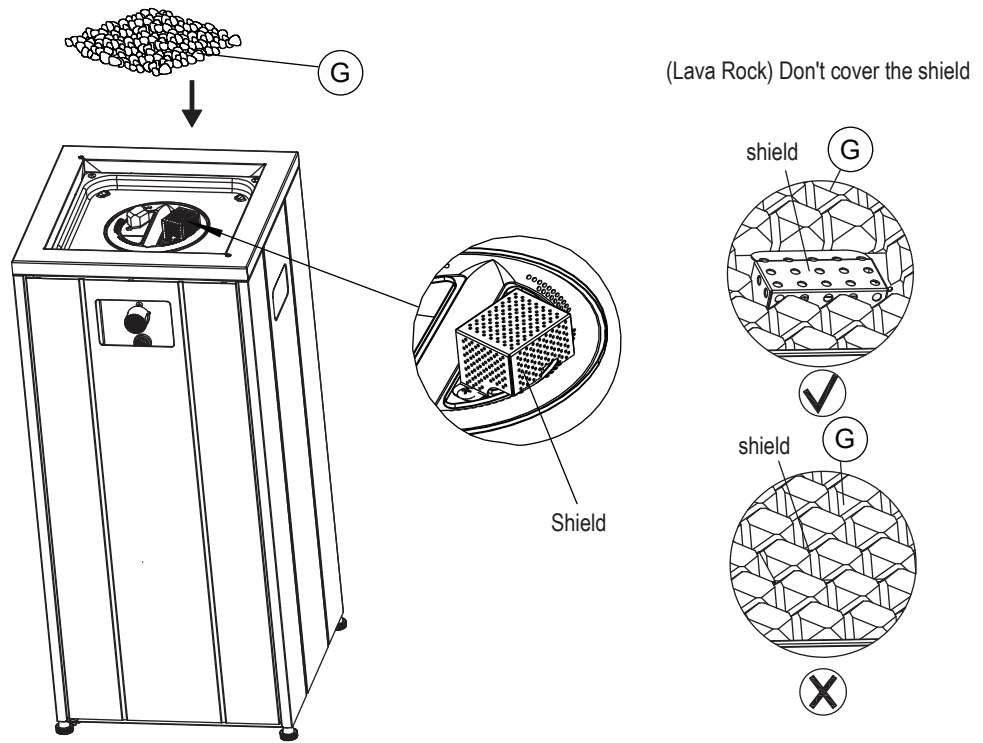
Note: As part# F is an elastic part, it is necessary to clamp the locking screw position with a pair of pliers after clamping part# C and part# F onto the toughened glass, which will make it easier to tighten the double head connecting rod BB.



7



8

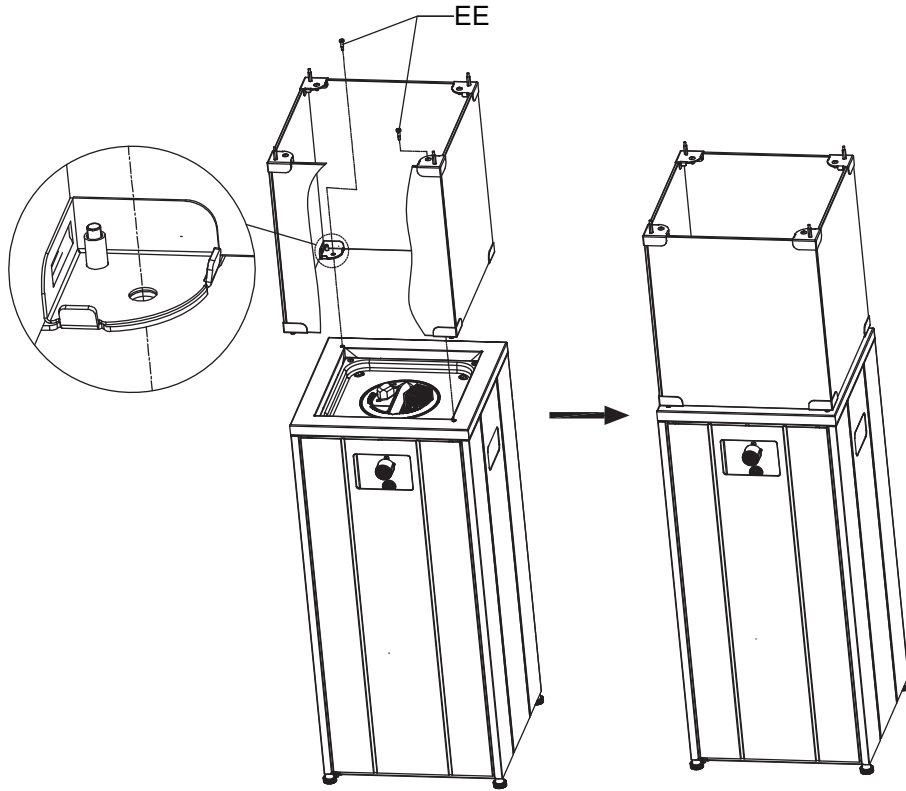




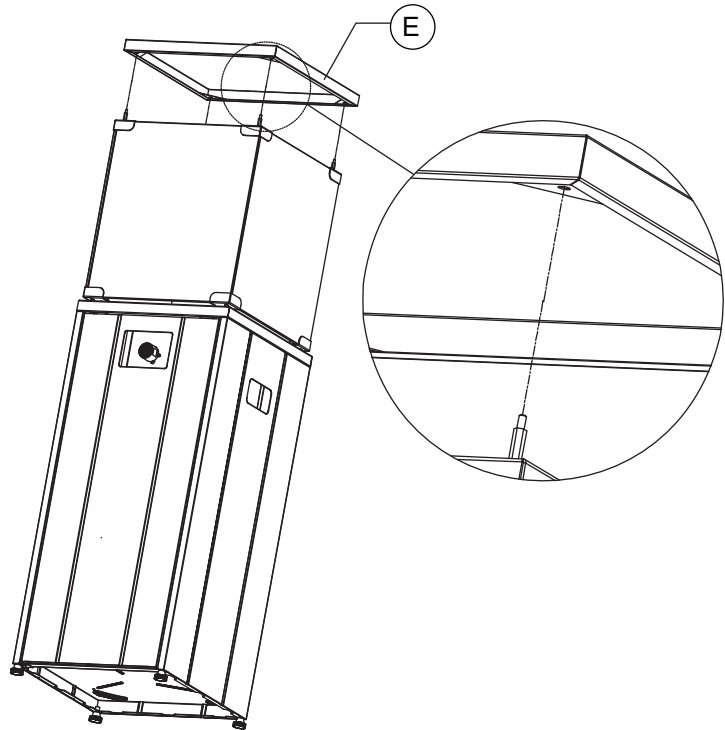
9



EE x 2



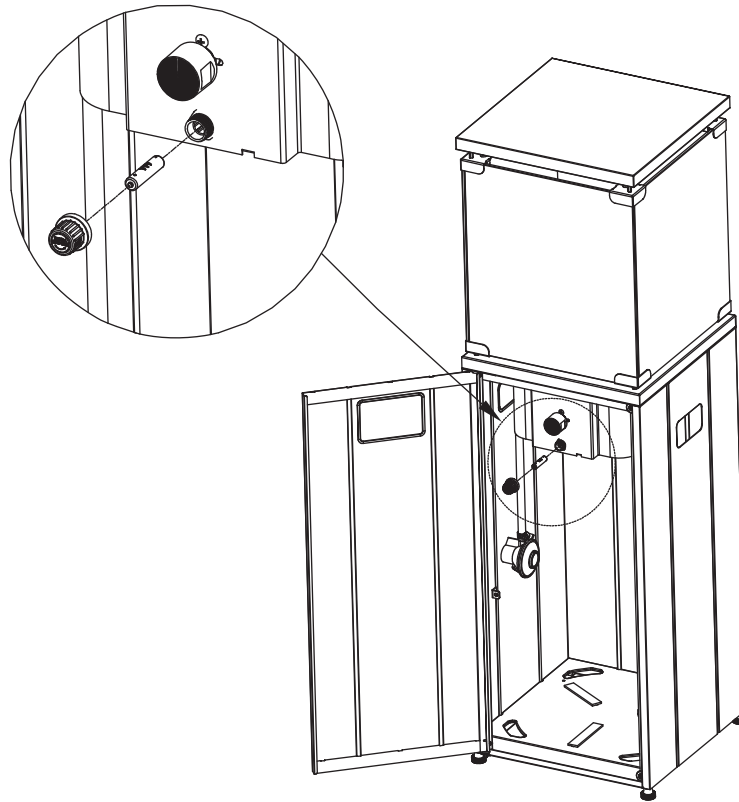
10



11



AAA Battery  
(Not included)



12

