

24"-55" TILTING TV BRACKET Assembly Instruction

PLU-116643

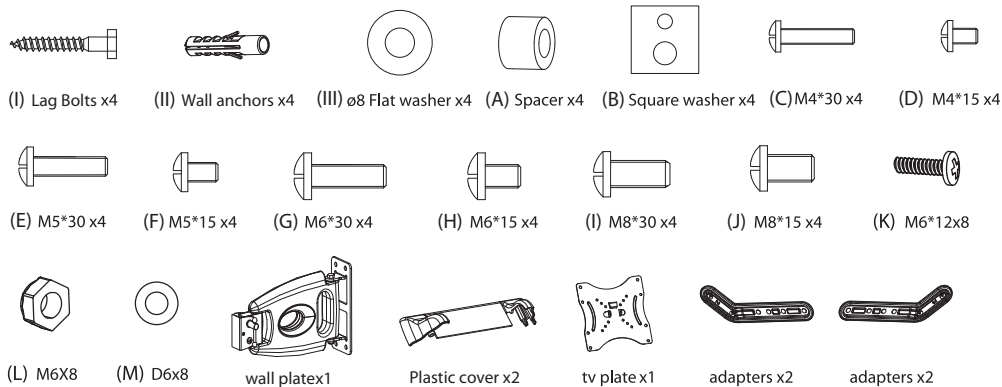
PLEASE RETAIN FOR FUTURE REFERENCE.

1. Technical parameter

Size of flat panel TV: 24"~55"	Maximum load : 40kg	Pitching angle : +5° ~ -15°
Adjustable angle : swing angle ±20°	Distance from wall : 80-310mm	Fits up to: 400x400

2. Hardware List

IMPORTANT: We are not responsible for any personal injury or product damage due to mishandling, incorrect mounting, incorrect assembly or incorrect use of this product. NOTE: The supplied wall mounting hardware is not for use on steel stud walls or cold cinder block walls. If you are uncertain what material your wall is constructed of or any question regarding the proper installation of this wall mount, contact a qualified contractor. If the hardware required is not included, please contact your local hardware store. CAUTION: This LCD/Plasma wall mount is intended for use with a television that does not exceed the maximum weight capacity designated. Using this mount with products heavier than the maximum weight indicated may result in instability causing possible injury.



3. Instruction of installation and operation

STEP 1

Please loosen the two bolts on the left and right sides of the TV plate in order to separate the wall plate and TV plate.

STEP 2

Mount wall plate on wall
Using the wall plate as a template and using a spirit level to ensure the wall plate is level. Mark 4 locations for the Lag Bolts. Pre-drill these holes with a Ø10mm bit to at least 50mm deep in the concrete brick and stone wall. Wall anchors (II) are inserted into four holes on wall. Next mount the wall plate to the wall using the lag bolt (I) and flat washer (III).

For Wood studs:
One wood stud should be used for installation. Using a stud finder to locate the one wood stud. Use the wall plate as a template and use a spirit level to ensure the wall plate is level. Mark the 4 locations for the bolt. Pre-drill these holes with a Ø5mm bit to at least 50mm deep. Next mount the wall plate to the studs using the lag bolt (I) and flat washer (III). The wood stud should be at least 2.5" wide.

STEP 3

Insert the two plastic covers on both sides of the wall plate.

STEP 4A

Install the adapters to the VESA plate.

STEP 4B

Refer to your TV manual to determine the diameter of the screw, spacer and washer necessary for the size, height and position of the holes on your TV. Attach the TV plate to the back of the TV with the hooks facing down. Use selected components as below to attach TV and once aligned tightly secure the bolts. Install the spacers (A) between the TV and the TV plate. And then use screw (C/D/E/F/G/H/I/J), square washer (B) to attach TV plate and TV together.

STEP 5

Hook the TV plate onto the top of the wall plate first. Then slowly lower the bottom of the TV until the TV plate fits the wall plate completely. Finally, tighten fasten screws on the left and right side of TV plate.

STEP 6

Adjusting the TV display.
The TV can be adjusted to desired position using the tilt and swivel actions.

STEP 7

Cable management.
Use the holes to neatly position cables.

