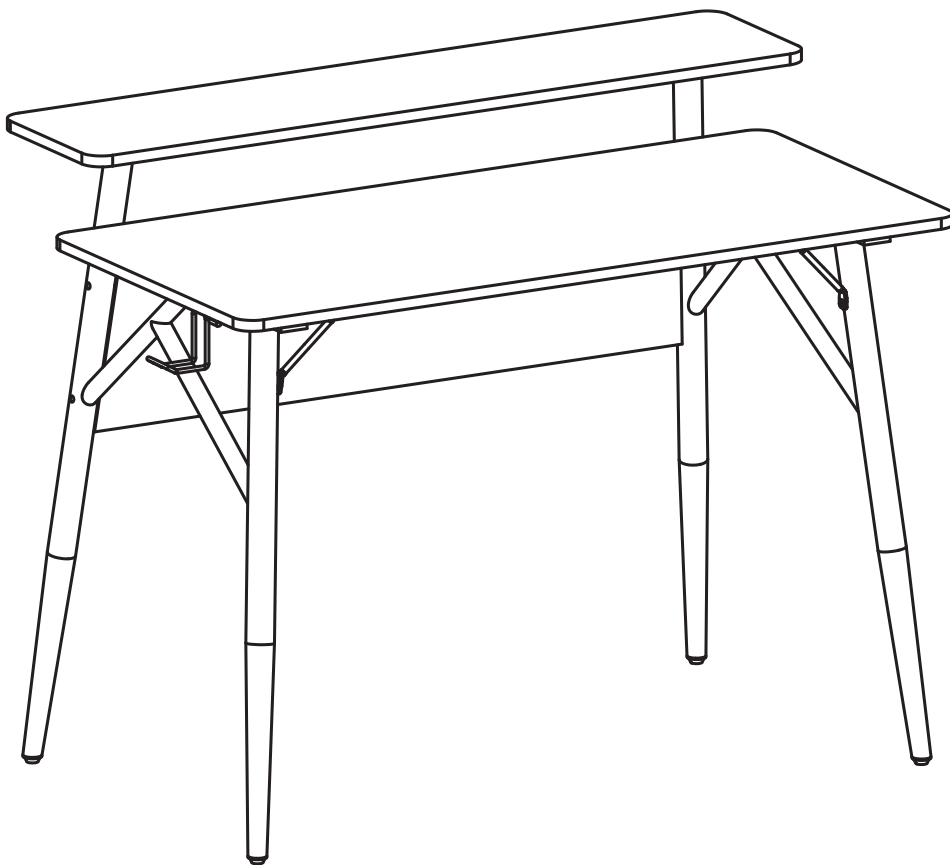


English

COMPUTER TABLE

ASSEMBLY INSTRUCTION

Thanks for purchasing one of our products, please read carefully the assembly instructions before the installation (Attention: Do not tighten the screws before all screws are in place).



**TWO PEOPLE
REQUIRED**

CT-3637

General Care:

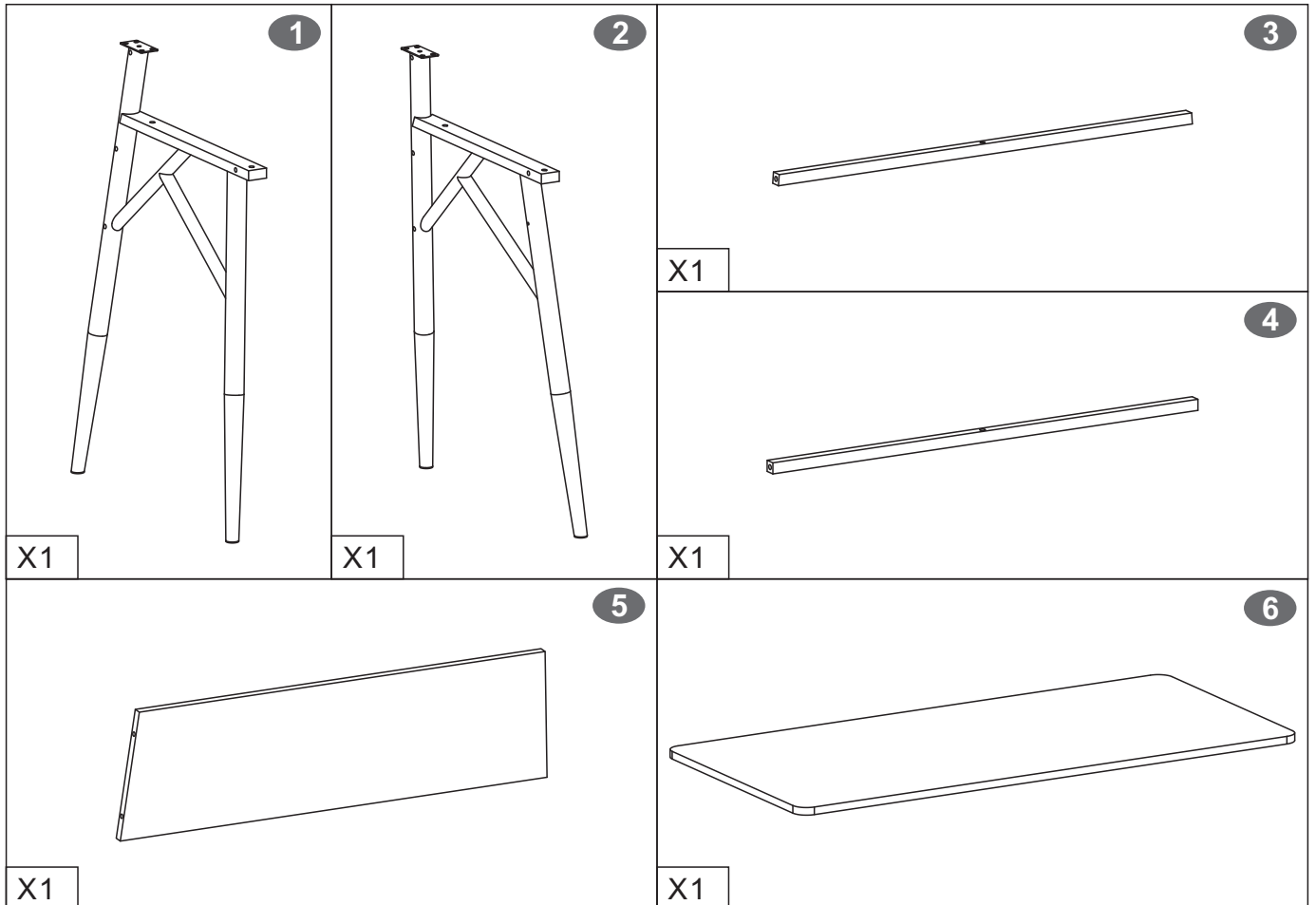
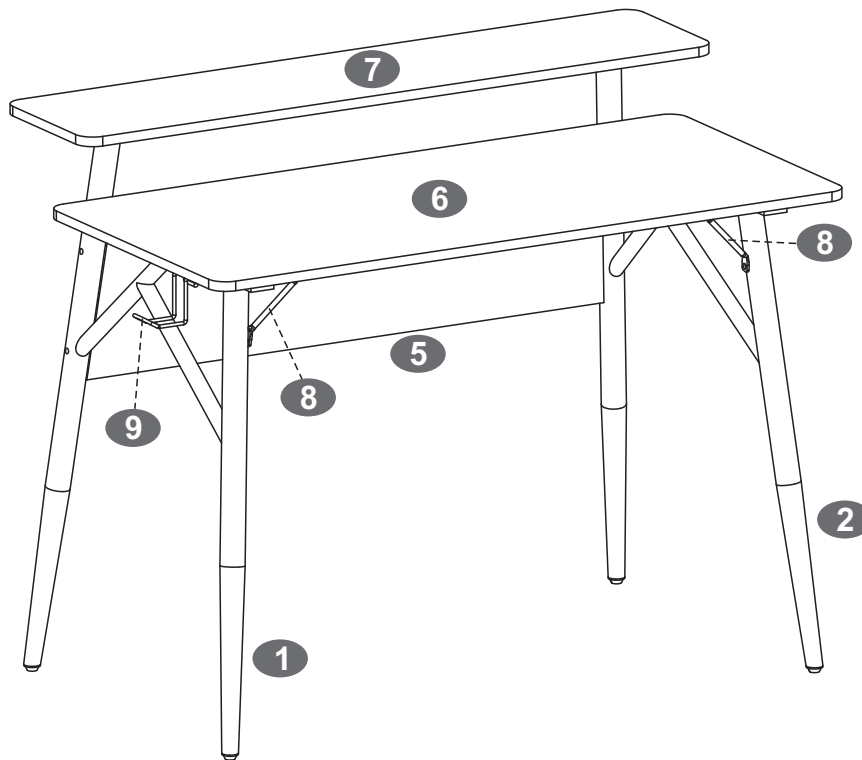
-Keep your furniture out direct sunlight-Use desk pads and coasters to protect the surface from dents,scratches,and moisture from hot or cold liquids.

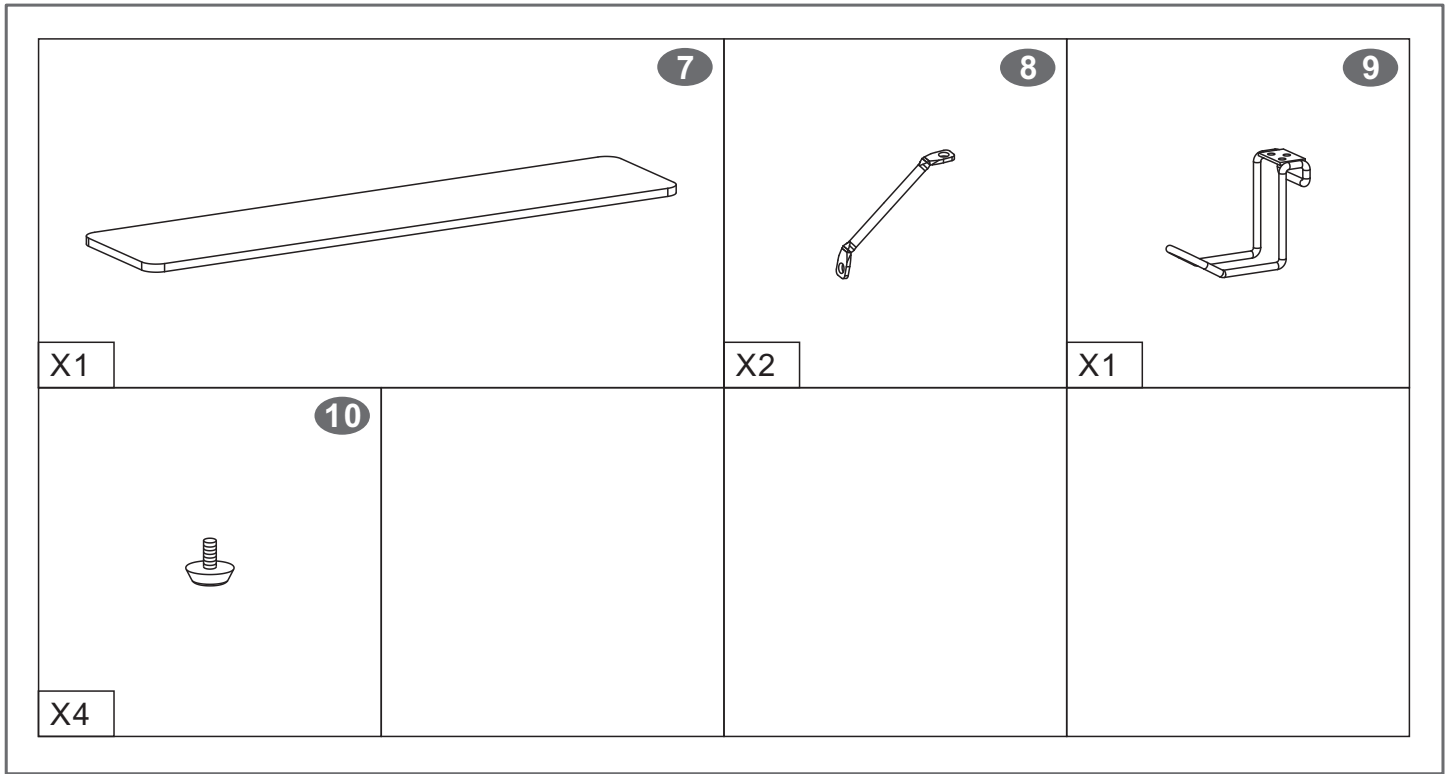
Cleaning:

-For cleaning, wipe the surface with a damp (not wet) cloth or wipe dry with a clean lint free cotton cloth.
-Window cleaning liquid or a similar cleaning liquid can be used to clean glass surface.



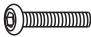







▪PARTS LIST

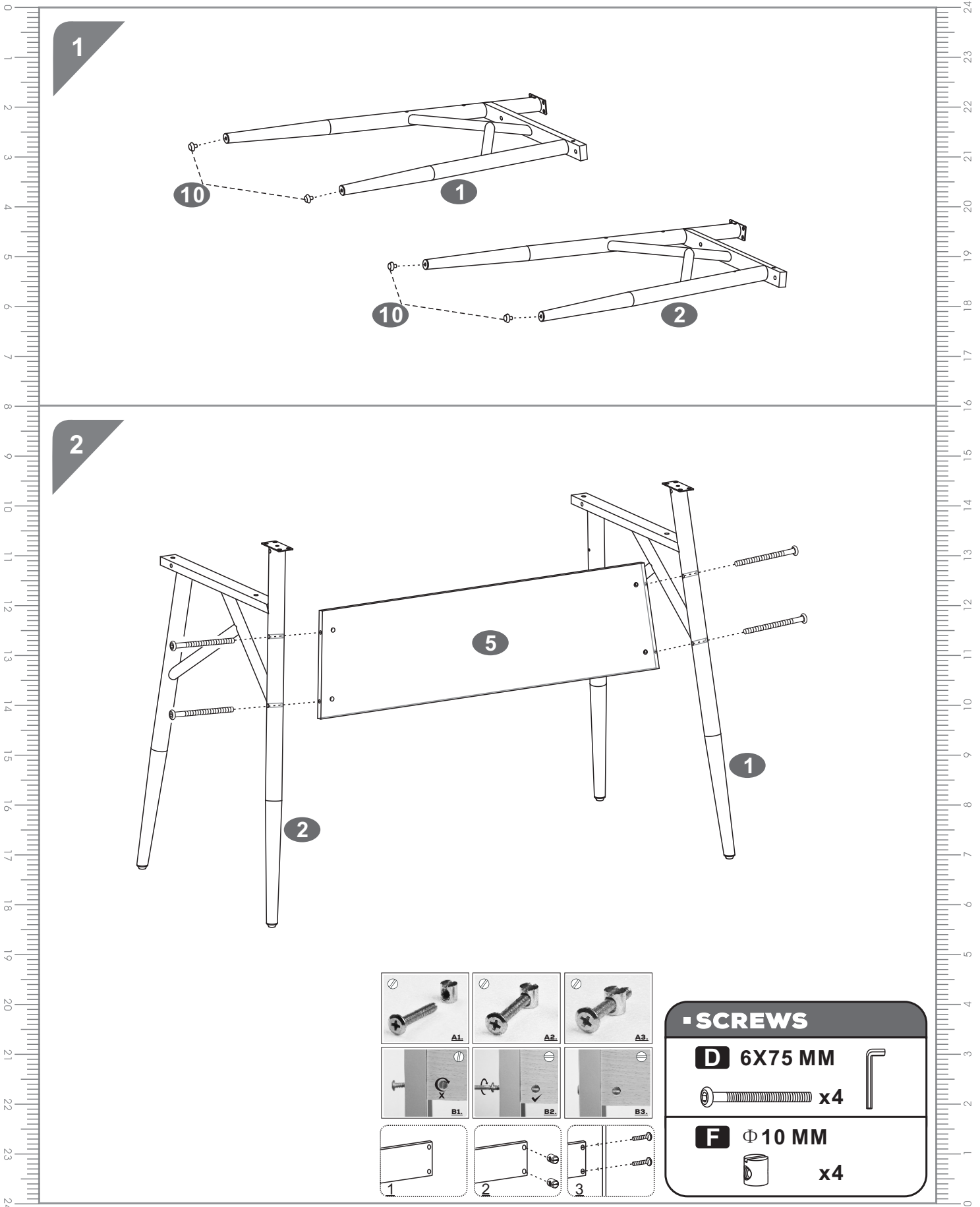




SCREWS LIST

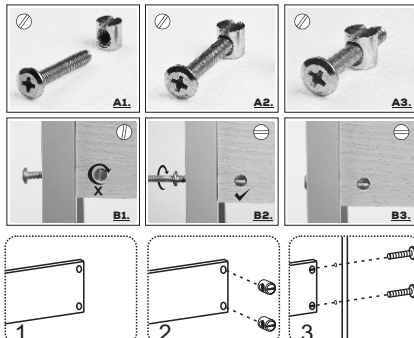
PART	QTY.	ITEM		PART	QTY.	ITEM	
A	12	6X12 MM		E	3	4X14MM	
B	6	6X30 MM		F	4	Φ 10 MM	
C	4	6X55 MM			1	M 4	
D	4	6X75 MM			1		

ASSEMBLY STEPS:





1

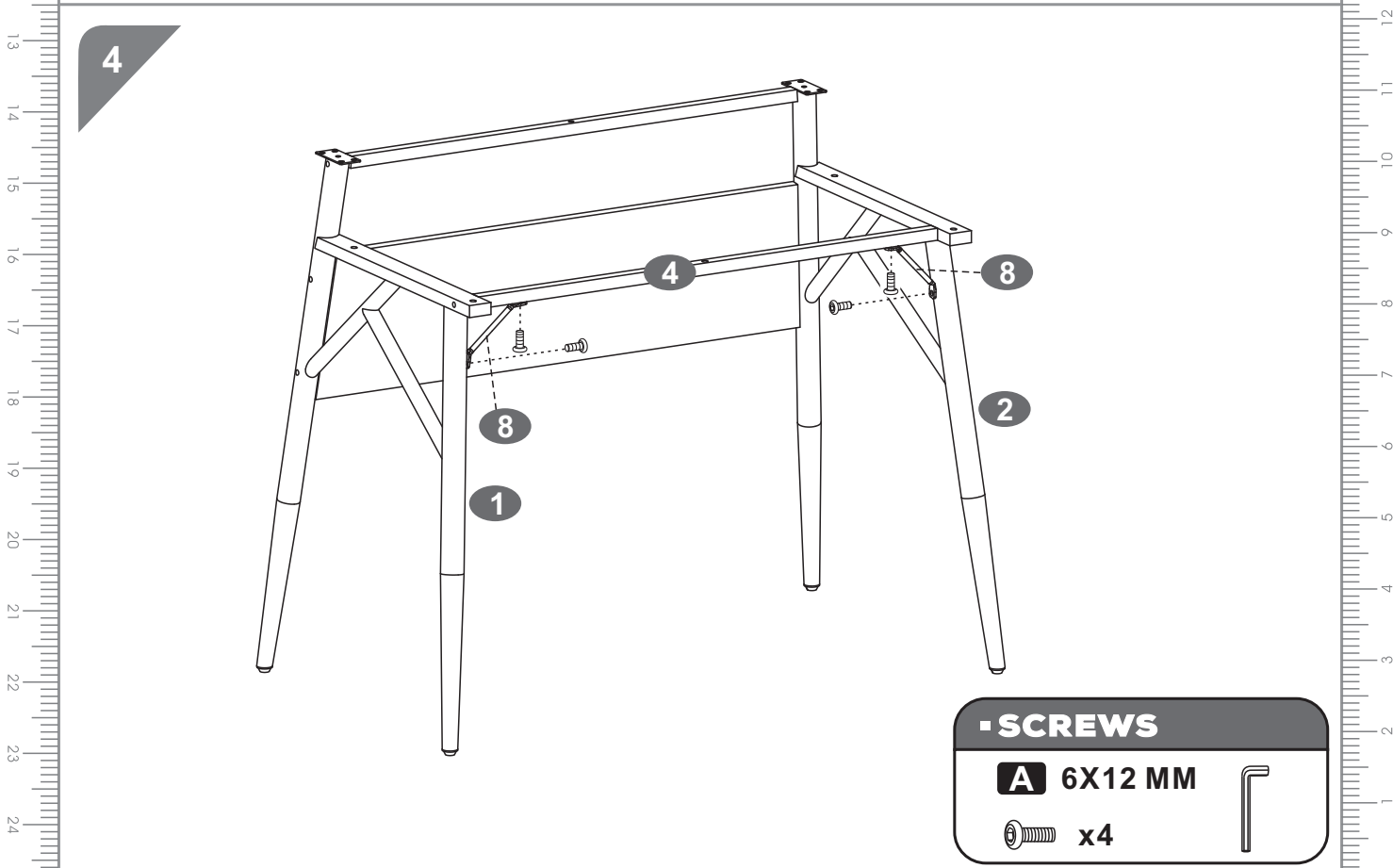
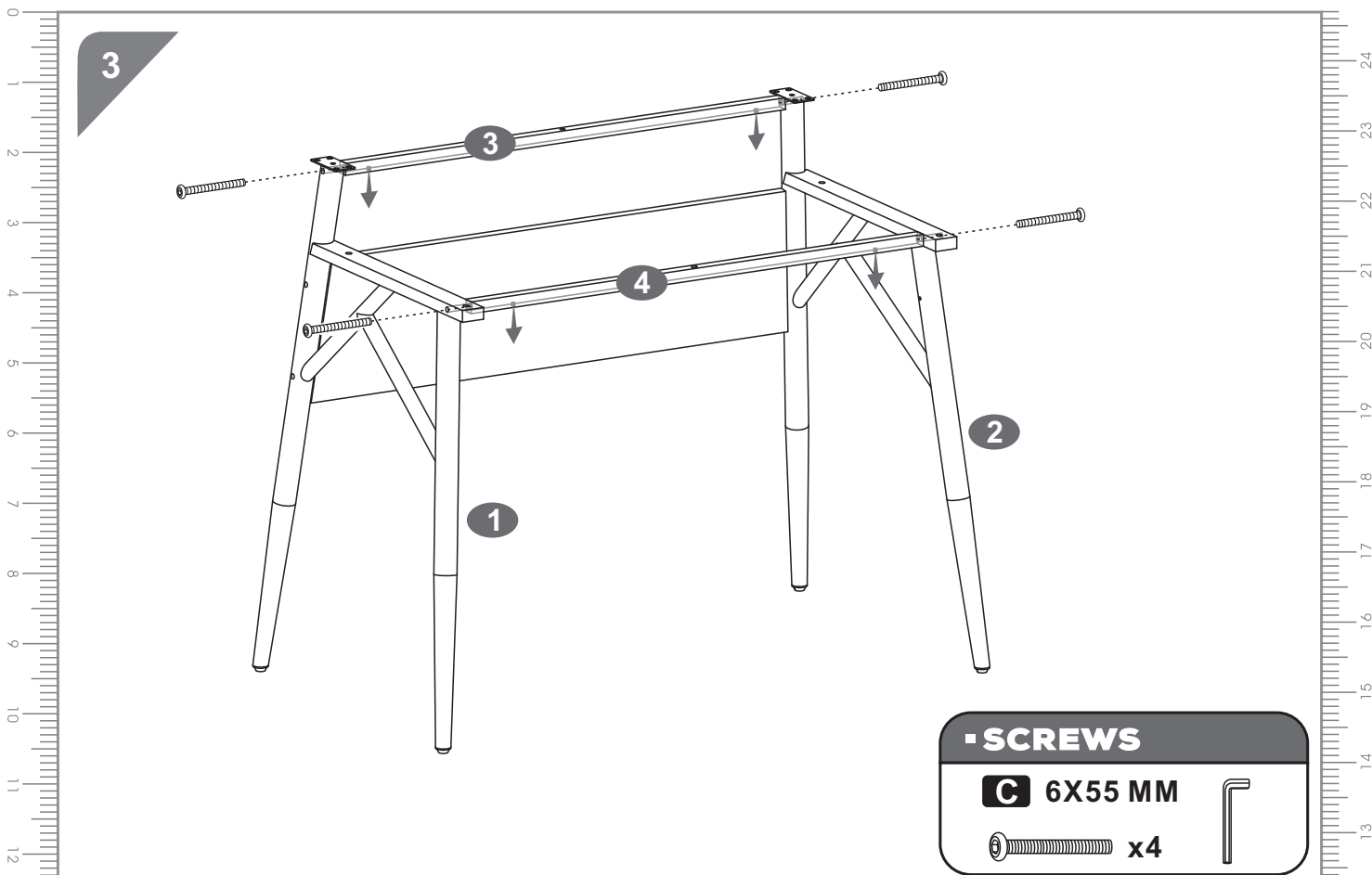
2



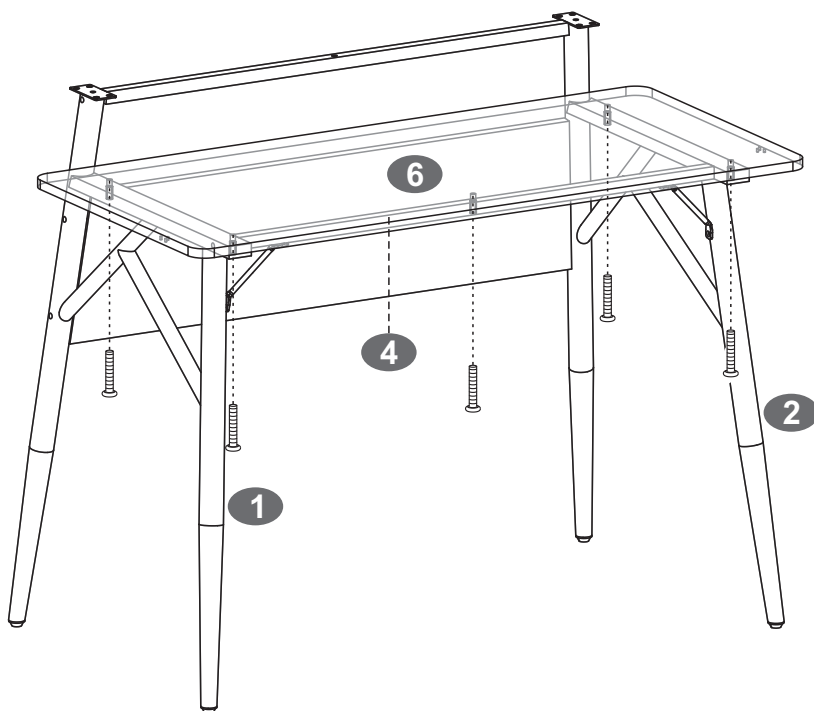
- SCREWS

D 6X75 MM  x4

F Φ 10 MM  x4



5

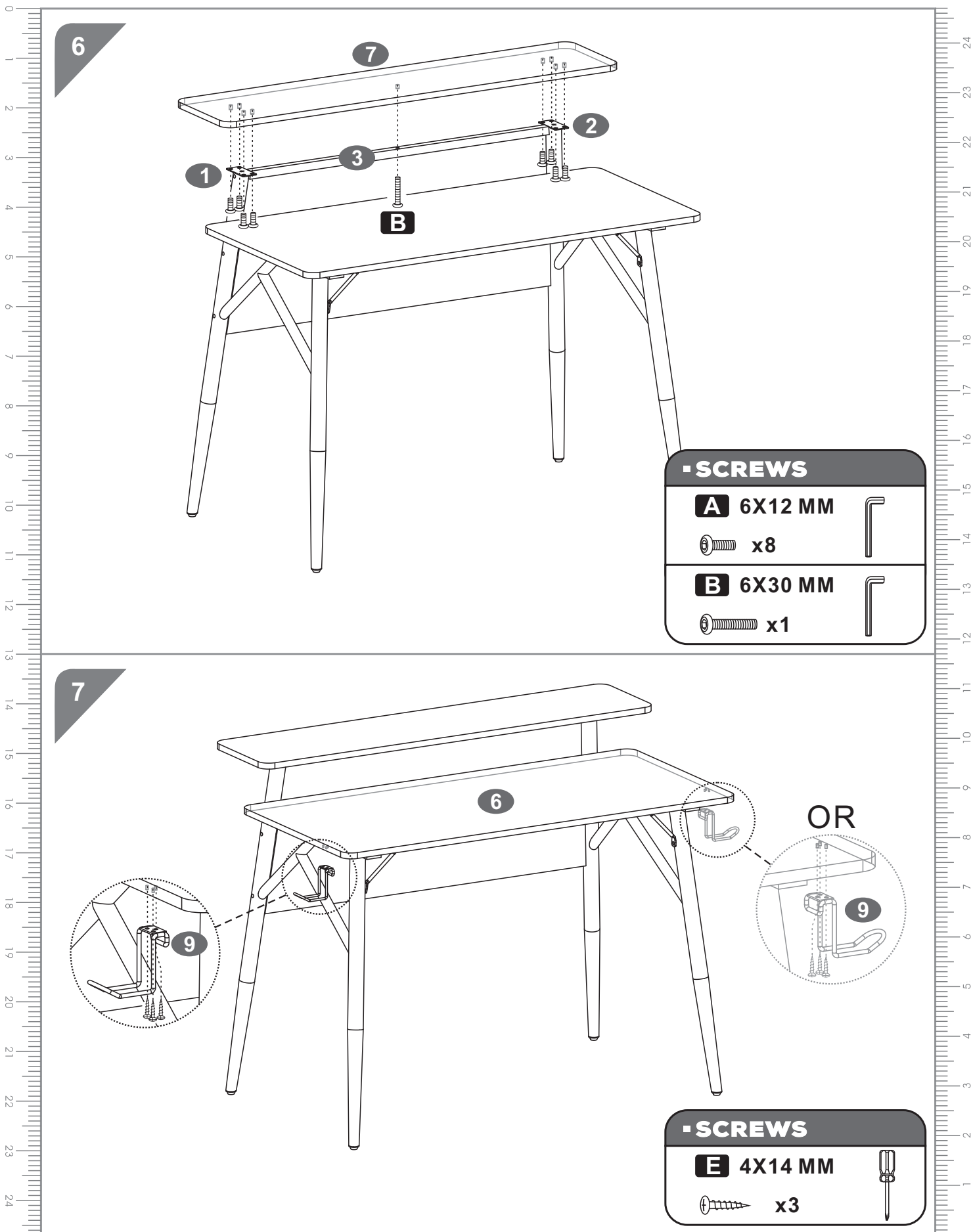


- SCREWS

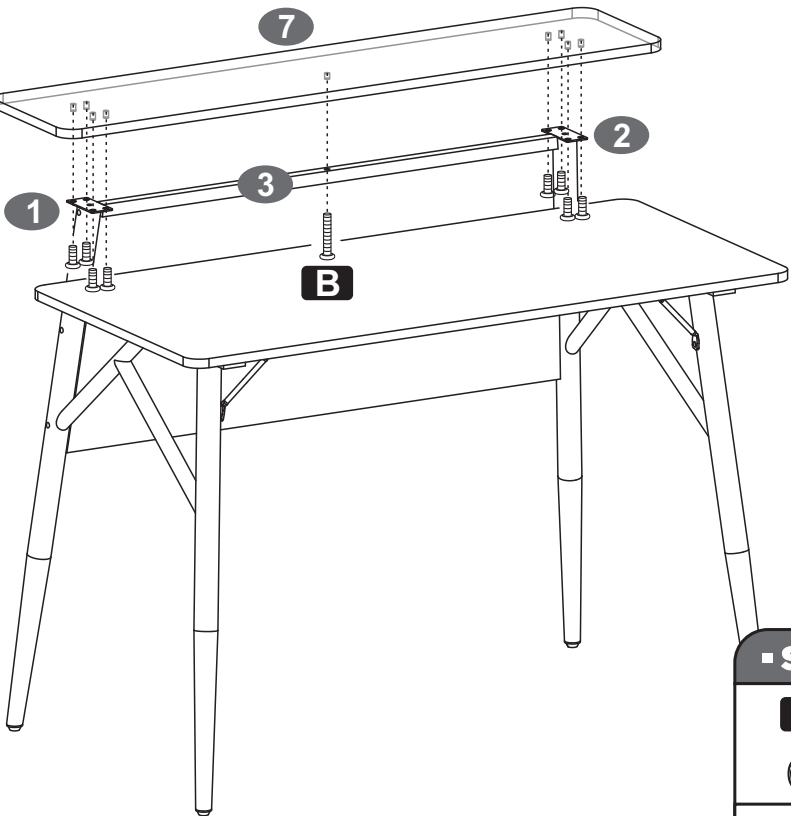
B 6X30 MM

 x5





6



- SCREWS

A 6X12 MM

 x8



B 6X30 MM

 x1



7



- SCREWS

E 4X14 MM

 x3

